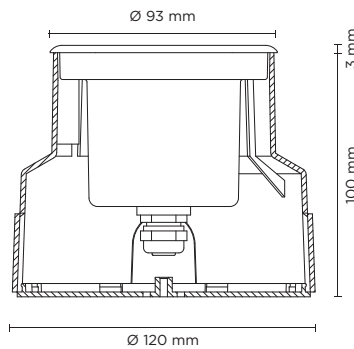




201003

HYDROFLOOR MICRO

Round ground-recessed luminaire for outdoor installation, Phospho-chromatised and polyester powder coated die-cast copper-free aluminium body and stainless steel AISI 304 frame, tempered safety glass, moulded silicone gasket. Built-in LED driver 220-240V 50-60Hz, with 1 CREE XP-G3 LED. IP67 rating.



light source	light beam options	lumen output (lm)	lumin. efficacy (lm/w)
3000°K warm-white			
high-power led	10°	115	115.00
high-power led	30°	110	110.00
high-power led	45°	104	104.00
4000°K neutral-white			
high-power led	10°	120	120.00
high-power led	30°	114	114.00
high-power led	45°	109	109.00

Finish color options:

 Stainless Steel (on request)

Technical features



Technical data

Wattage	1 WATT
IP Rating	IP67
IK Rating	IK09
Material	High corrosion resistance die-cast copper-free aluminum body
Coating	Polyester powder coating with phosphochromating pre-finish
Ring	Stainless steel AISI 304
Light source	NR. 1 x 1W CREE "XP-G3" LED
Screws	Stainless steel
Transformer	Electronic power supply 220/240V 50/60Hz built-in
Static weight resistance	Max 1000 Kg
Gasket	Silicone rubber
Glass	Tempered
Cable gland	PG9
Power cable	1 mt. neoprene power cable included
Gross weight	0,70 Kg
Included	Polypropilene recessing box



LAREN O